



Connect your non-DICOM modalities to the PACS network.

## Add network connectivity to virtually any video-based imaging system.

The DiCOM box CA provides “off the shelf” connectivity including HIS/RIS integration via Modality Worklist and other network applications such as print and archive servers via the DICOM 3.0 standard. Ideal for creating flexible and scalable DICOM networks and tying various modalities to PACS, teleradiology and print networks.

The CA captures static video images from freeze-frame or last image hold up to 166MHz video pixel clock rates, 2048x1024 matrix. The CA is compatible with 1,000 modality models.

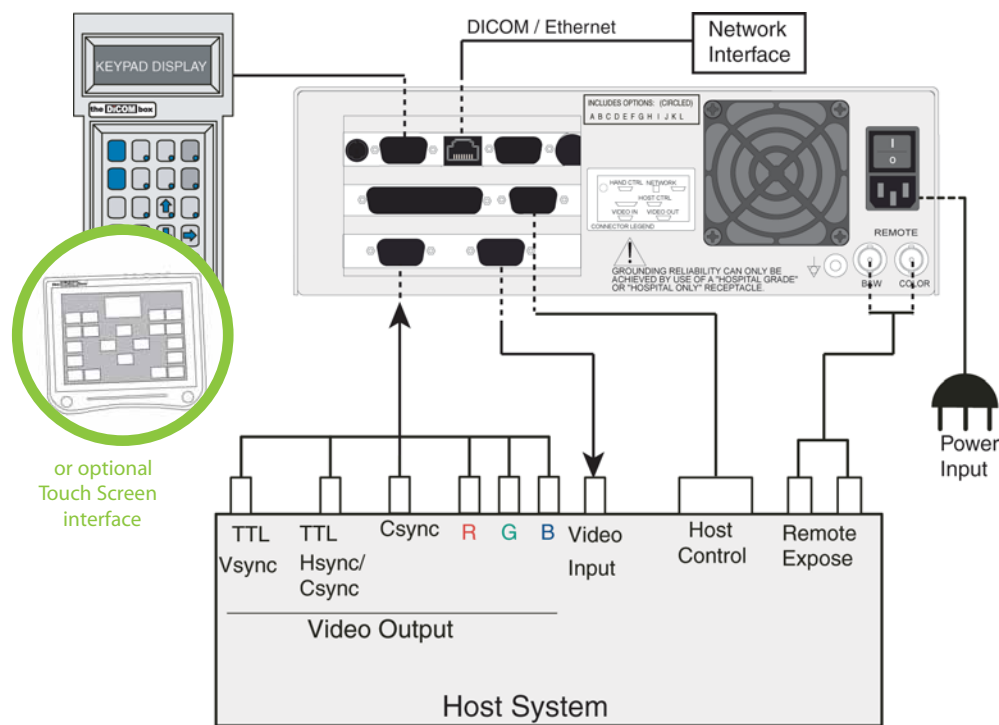
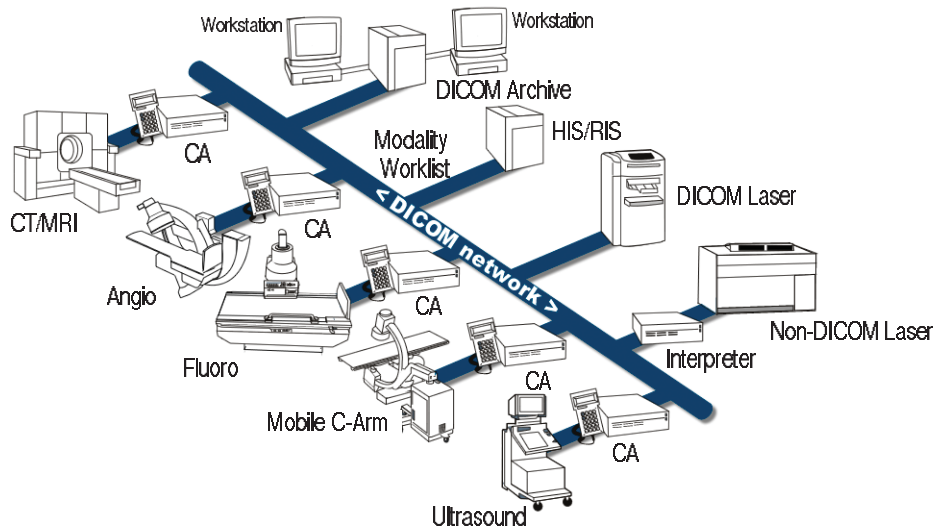
(800) 635-6779  
[www.datadistributing.com](http://www.datadistributing.com)

### Features:

- Configurable DICOM Services
  - DICOM Print
  - DICOM Store
  - Modality Worklist
  - Modality Performed Procedure Step (MPPS)
  - Storage Commitment
- Compatible with over 1,000 models
- Optional TouchScreen Interface
- Interlaced or non-interlaced video input
- Multiple Print Destinations
- Remote foot/hand switch control interface
- Redundant Image Backup
- OCR Optical Character Recognition
- Quick network disconnect for mobile apps.
- Host Control interface - optional
- Remote administration via telnet & FTP

## the DiCOM box®

### CA - Video to DICOM



**Data Distributing LLC**

Building Solutions. Building Success. Digital that Fits!

107 Dakota Avenue • Santa Cruz, CA 95060

Tel: (800) 635-6779 • (831) 457-3537

www.datadistributing.com • info@datadistributing.com

## Specifications

- DICOM Service Classes (configurable)
  - DICOM Print
  - DICOM Store
  - Modality Worklist
  - MPPS
  - Storage Commitment
- Standard Video Input (terminated, 75 ohms)
  - Monochrome composite video into Green input
  - Red, Green, Blue (RGB) and composite sync
  - (Can be configured for sync on Green & sep. sync)
  - Nominal 525/625lines 30/25 fps
  - Interlaced or non-interlaced
  - Pixel Clock Minimum: 7 MHz.
  - Pixel Clock Max: 166 MHz High Rate
- Optional Remote Operator Interface Keypad
- Optional Color Print Capability
  - Image Matrix Max: 2048 x 1024
- Video Acquisition
  - Single Frame Monochrome & Color Capture
  - Up to 2048x1024, 150MHz, 8 bit mono, 24 bit color
- Internal Storage
  - 2.2GB or greater Hard Drive
- Network
  - Ethernet 10/100 base T - selectable
- Connectors
  - Video I/O High Density DB15, Female pins
  - Network: 8 pin modular jack (RJ45)
  - Operator Interface Keypad: DB9, Male pins
  - Host Control Input: DB9, Male pins
  - Remote Capture Input: BNC, Female pins
- Power Input
  - 115-230 Vrms, ±15% 47-63 Hz, 120 VA
- Physical Characteristics
  - Module
    - Height: 3.25 inches (8.25 cm)
    - Width: 10.125 inches (25.72 cm)
    - Depth: 14.125 inches (35.88 cm)
    - Weight: 8 pounds (3.68 kg)
  - Keypad
    - Height: 7.15 inches (18.16 cm)
    - Width: 4.10 inches (10.41 cm)
    - Depth: 0.95 inches (2.41 cm)
    - Weight: 8 ounces, (227g)
- Environmental Operating
  - Temperature: +50°F to +104°F, (+10°C to +40°C)
  - Barometric pressure: 700 hPa to 1060 hPa
  - Relative Humidity: 5% to 80% non-condensing
- Transit
  - Temperature: +14°F to +122°F (-10°C to +50°C)
  - Relative Humidity: 5% to 85% non-condensing
- Clearance Requirements
  - 3 inches (7.6cm) for rear panel cable connection
  - Do not obstruct ventilation airflow at front and rear of module
- Classification
  - IEC601 Class I,
  - Type B ordinary equipment, continuous operation
- Agency Approvals
  - UL60601-1; CAN/CSA C22.2 NO. 601.1-M90
  - EN 60601-1-2 Class B Group 1
  - FCC part 15